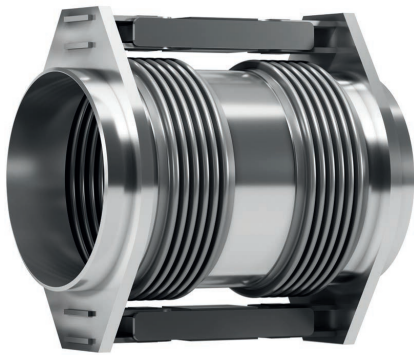


# Double articulated

## MWK & MFK series

Designed to absorb lateral movements in any direction and angular movements in one plane only.

This model is made up of two bellows joined together by a linking pipe and a universal system of double articulated supports.



**MWK**

Double articulated expansion joint with welding ends.



**MFK**

Double articulated expansion joint with flanges.

## Features

TYPE	SERIES		
Double articulated	MWK, MFK		
PRESSURE THRUST RESTRAINT	MOVEMENTS		
✓	Axial	✗	
	Lateral	Single-plane	✓
		Multi-plane	✓
	Angular	Single-plane	✓
		Multi-plane	✗
			No main anchors required Minimum guiding required

Sample images

